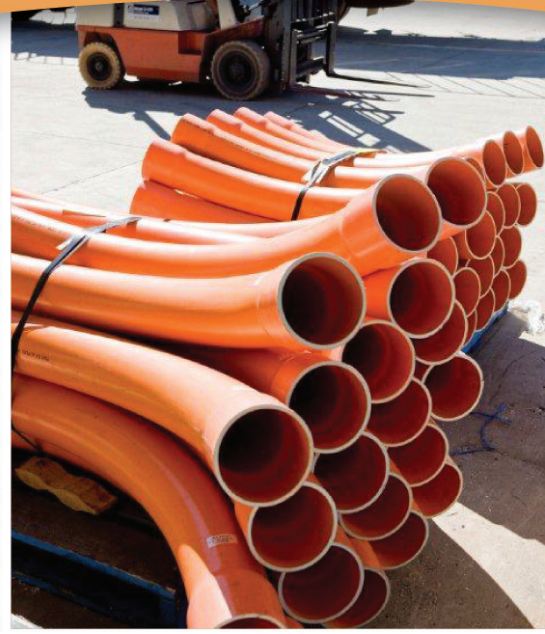




pvc MADE USING
BEST ENVIRONMENTAL
PRACTICE™



Telecommunications and Electrical

Product Catalogue

***i*PLEX**
Pipelines

The background of the bottom section of the page is a solid orange color. Overlaid on this background are faint, white technical drawings of various mechanical parts, including what appears to be a flange, a bolt, and a pipe fitting, rendered in a simple line-art style.

Disclaimer

The information contained in this document should serve as a guide only and is subject to change without notice. Iplex Pipelines Australia Pty Ltd does not invite any person to act or rely upon such information and liability for such information is excluded. In particular, as new technology is developed rapidly, product specifications, designs and components may change and Iplex Pipelines Australia Pty Ltd reserves the right at its discretion to make changes as it sees fit. The information contained in this document does not form part of the terms and conditions of sale or constitute the description of any goods to be supplied by Iplex Pipelines Australia Pty Ltd or its distributors. Before purchasing goods, customers should source current product information from their distributor and seek expert advice on their particular intended use and application for the product. No part of this document may be reproduced, stored in a retrieval system or transmitted in any form, electronic, mechanical recording or otherwise without the prior written consent of Iplex Pipelines Australia Pty Ltd. The designs, graphics, logos, tradenames, trademarks and other intellectual property contained in this document are either owned by Iplex Pipelines Australia Pty Ltd or used with permission of the owner and must not be used without prior written consent. Copyright© 2013 Iplex Pipelines Australia Pty Ltd. All rights reserved.



1.0 Introduction	page 01
2.0 Product Data	02
2.1 Standards	02
2.2 Dimensions	02
2.3 Colour	02
2.4 Fabrication	02
2.5 Best Environmental Practice (BEP) PVC and the GBCA Green Star Rating	03
2.6 Material Properties	03
3.0 Transportation and Storage	04
4.0 Product Range	05
Telecommunications Conduits & Fittings	05
<i>PVC & PE Conduits for Telecommunications</i>	05
<i>PVC Fittings for Telecommunications</i>	06
<i>PVC & PE Conduits for Telstra</i>	08
<i>PVC & PE Fittings for Telstra</i>	08
<i>Posts and Base</i>	12
<i>Repair Systems</i>	13
Pits & Accessories	14
Electrical Conduits & Fittings	22
<i>PVC Electrical Conduit</i>	22
<i>PE Electrical Ducting</i>	23
<i>Flexible Conduit</i>	24
<i>Ducting</i>	26
<i>Cable Cover</i>	27
<i>PVC & PE Fittings for Electrical</i>	28





1.0 Introduction

For more than 75 years, Iplex Pipelines, Australia's largest manufacturer of plastic pipe and fittings, has been serving Australian industry.

In addition to its water and gas pipe products, the company provides an extensive range of electrical and communications conduits, ducts, cable covers, marking tapes, pits and associated accessories to the electrical, telecommunications, civil infrastructure, construction, solar energy and mining sectors. The conduit range includes both rigid and corrugated PVC conduits along with PE100 polyethylene products used in trenchless directionally drilled installations.

With warehouse and distribution outlets strategically located in every Australian state, Iplex is able to ensure rapid response to customers' orders and when service becomes critical, a national fleet of 150 real-time GPS tracked vehicles can be relied upon to deliver the goods.

Iplex's service offer extends beyond the on-time supply of high quality products at competitive prices to include professional sales and technical support offered to clients and designers, thereby ensuring products are appropriately and cost effectively installed.

The products detailed in the pages that follow form the standard range of electrical and telecommunications products. If the item you need is not depicted, please do not hesitate to contact your local representative or our National Sales Centre or visit www.iplex.com.au.





2.0 Product Data

2.1 Standards

All Iplex factories are third-party accredited to ISO 9001 quality system management by an independent JAS-ANZ certifying body. Where relevant, products are manufactured to Australian/New Zealand or Telco company standards and specifications.

Referenced Australian electrical and telecommunications product standards include:

AS/NZS 2053 (various parts)
AS/NZS 4296
AS/NZS 5033
AS 4702

In addition to Australian Standards, Iplex manufactured PVC conduits are certified to Best Environmental Practice (BEP PVC) standards, which assists projects utilising them to claim positive credit points under the Green Building Council's "Green Star" program, Australia's trusted mark of quality for sustainable buildings, fit outs and communities. A copy of Iplex's BEP PVC Compliance Certificate No. 037 may be downloaded from the Iplex website www.iplex.com.au.

As part of its commitment to the BEP PVC program, Iplex accepts and recycles PVC salvaged from the waste stream into non-critical products, providing them with a second life thereby minimising the amount of plastic ending up in land fill. More information on BEP PVC can be found on the following websites:

Green Building Council of Australia – www.gbca.org.au
Plastics Industry Pipe Association – www.pipa.com.au

All Iplex polyethylene conduits are by nature, halogen free.

2.2 Pipe dimensions

Product dimensions are generally in line with the relevant part of AS/NZS 2053 for PVC conduits and AS/NZS 4130 polyethylene pipes. The dimensions nominated in this catalogue are mean-nominal and approximate. If dimensional information is critical to an installation customers are urged to contact Iplex for verification.

2.3 Colour

Australian Standard AS/NZS 2053 is silent with respect to colour of electrical and communications conduits. AS/NZS 3000 nominates the use of orange conduits in buried electrical installations. AS 1345 and PIPA Guideline POP203 both attempt to provide guidance for colour identification of pipes in a range of buried and above ground applications.

For the purpose of this catalogue colours signify:

Orange: Electrical conduits installed below ground
Grey: Electrical conduits installed above ground
White: Data and telecommunications conduits

2.4 Fabrication

Individual projects can require the use of specialist conduits or fittings. Iplex Pipelines has the ability to produce custom made large radius bends up to 25m radius.

2.5 Best Environmental Practice (BEP) PVC and the GBCA Green Star Rating

In addition to Australian Standards, Iplex manufactured PVC conduits are certified to Best Environmental Practice (BEP PVC) standards, which assists projects utilising them to claim positive credit points under the Green Building Council's "Green Star" program, Australia's trusted mark of quality for sustainable buildings, fitouts and communities. As part of its commitment to the BEP PVC program, Iplex accepts and recycles PVC salvaged from the waste stream into non-critical products, providing them with a second life thereby minimising the amount of plastic ending up in land fill. All Iplex polyethylene conduits are by nature, halogen free.



2.6 Material properties

PVC at 20°C	Value
Specific Gravity	1.45
Coefficient of linear thermal expansion	$70 \times 10^{-6} / ^\circ\text{C}$
Thermal conductivity	0.19 W/m.K
Ultimate tensile strength	52 MPa
Tensile modulus (Young's)	2750 MPa
Specific heat	1045 J / kg.K
Maximum practicable temperature	60°C
Flammability	Self extinguishing. Will not support combustion
Ignitability - AS 1530.3	7*
Smoke development - AS 1530.3	9*
Spread of flame - AS 1530.3	0*
Heat evolved - AS 1530.3	2*
*AWTA Product Testing, test report number 7-558788-CV	
Volume resistivity	10^{16} Ohm.cm (60% RH)
Surface resistivity	$10^{13} - 10^{14}$ Ohm

HDPE (PE100) at 20°C	Value
Specific Gravity	0.955
Coefficient of linear thermal expansion	$18 \times 10^{-5} / ^\circ\text{C}$
Thermal conductivity	0.43 W/m.K
Ultimate tensile strength	25 MPa
Safe axial (HDD pull-back at 20°C) load	8 MPa
Tensile modulus (Young's)	950 MPa
Specific heat	2000 J / kg.K
Maximum practicable temperature	60°C
Flammability	Flammable
Ignitability - AS 1530.3	13
Smoke development - AS 1530.3	3
Spread of flame - AS 1530.3	7
Heat evolved - AS 1530.3	6
Volume resistivity	10^{17} Ohm.cm (60% RH)
Surface resistivity	$> 10^{14}$ Ohm

2.0 Transport and Storage

Conduits and fittings should be transported, handled and stored with care at all times to avoid physical damage (e.g. gouging, scoring, scratching, localised deformation, ovalisation or impact damage) that could adversely affect performance. During transportation, conduit must be supported in a secure manner to prevent damage, excessive distortion of the conduit cross-section or bowing and twisting.

Storage areas provided for conduit shall—

- (a) be a flat surface free of any sharp stone or projection, which may cause damage or localised deformation and
- (b) be suitable for the use of the proposed loading and unloading without the risk of accidental damage.

If the total period of exposed storage outdoors of white, black or grey coloured product is likely to exceed 24 months or 3 months for orange, products must be covered and stored in a manner that allows ventilation and prevents UV exposure and heat entrapment. Conduits and fittings may be stored in this manner indefinitely. Orange conduits and fittings left exposed to sunlight and heat will fade or discolour within a relatively short period of time.

Much care shall be exercised when removing the strapping from coils of polyethylene conduit, as considerable energy is stored in the coil that if released in an uncontrolled manner could cause serious injury or death.

Products suited to continuous solar exposure are marked with the letter “T” in their print message.

NOTE: Storage outdoors may be extended by covering conduits and fittings with an appropriate material such as hessian or white 70% shade cloth. Black plastic sheeting may cause unacceptable heat build-up and should not be used.

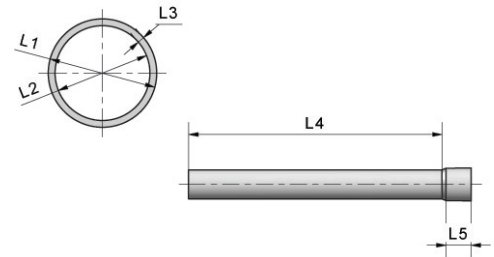


Telecommunications Conduits & Fittings

PVC & PE Conduits for Telecommunications

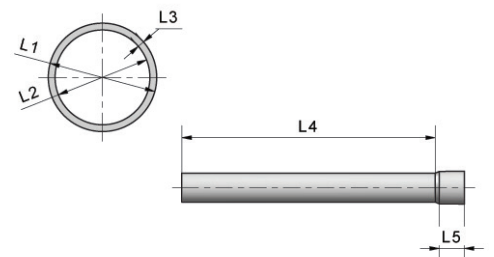
PVC Conduits – White (Branded “Telecommunications”):

Product Code	Typical Dimensions					
	Nominal Size (mm)	Mean OD (mm) L1	Mean ID (mm) L2	Wall Thickness (mm) L3	Nominal Length (m) L4	Socket Length (mm) L5
CTCO20	20	26.8	23.4	1.7	4.5	35
CTCR50	50	60.3	54.7	2.8	4.5	61
P900100445	100	114.3	104.6	4.9	4.5	99



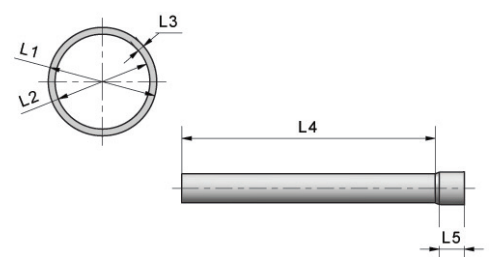
PVC Conduits – White (Heavy Duty):

Product Code	Typical Dimensions					
	Nominal Size (mm)	Mean OD (mm) L1	Mean ID (mm) L2	Wall Thickness (mm) L3	Nominal Length (m) L4	Socket Length (mm) L5
P600506WHT	50	49.9	42.6	3.7	6	40
P600804WHT	80	88.9	79.0	5.0	4	73
P6001004WHT	100	114.3	101.7	6.3	4	99
P6001504WHT	150	160.3	142.7	8.8	4	124



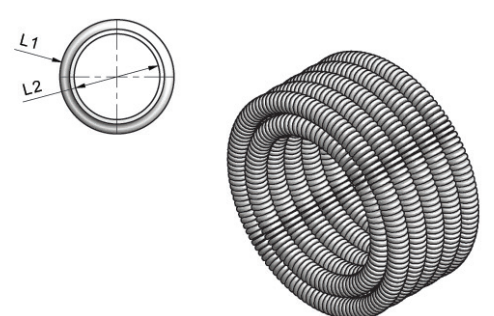
PVC Conduits - White (Manufactured to AUSTEL Spec TS009 Branded “Telecommunications”):

Product Code	Typical Dimensions					
	Nominal Size (mm)	Mean OD (mm) L1	Mean ID (mm) L2	Wall Thickness (mm) L3	Nominal Length (m) L4	Socket Length (mm) L5
P900204	20	19.9	16.0	2.0	4	16
P900254	25	24.9	21.0	2.0	4	20
P900324	32	31.9	27.4	2.3	4	25
P900504	50	49.9	44.0	3.0	4	40
P900806	80	88.9	81.3	3.8	6	73
P9001006	100	114.3	104.6	4.9	6	99



Corrugated Austel:

Product Code	Typical Dimensions				
	Nominal Size (mm)	Mean OD (mm) L1	Mean ID (mm) L2	Wall Thickness (mm)	Nominal Length (m)
P900FC2025	20	19.9	14.1	2.9	25
P900FC2050	20	19.9	14.1	2.9	50
P900FC2520	25	24.8	18.3	3.2	20
P900FC2550	25	24.8	18.3	3.2	50
P900FC3210	32	31.8	24.3	3.7	10
P900FC5010	50	49.8	39.6	5.1	10



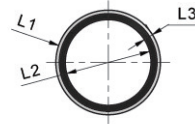
Note: •All drawings, dimensions, mass and volume are approximate only. If critical contact Iplex Pipelines.

Telecommunications Conduits & Fittings

PVC & PE Conduits for Telecommunications

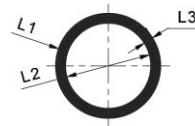
Polyethylene Conduits – White (PE100 Branded “Telecommunications”):

Product Code	Typical Dimensions						
	Nominal Size (mm)	SDR	Mean OD (mm) L1	Mean ID (mm) L2	Wall Thickness (mm) L3	Nominal Length (m)	Maximum Pulling Force (kN)
TTCX1363140	63	13	63.3	55.3	5.0	140	7.2
TTCX13110100	110	13	110.5	93.3	8.6	100	22
TTCX13125100	125	13	125.6	106.1	9.8	100	28.2



Polyethylene Subduct – Black (HDPE Branded “Telecommunications”):

Product Code	Typical Dimensions				
	Nominal Size (mm)	Mean OD (mm) L1	Mean ID (mm) L2	Wall Thickness (mm) L3	Nominal Length (m)
PHBC632250	32	32.2	28.1	2.0	250
PHBC632500	32	32.2	28.1	2.0	500
PHBC6321500	32	32.2	28.1	2.0	1500
PHBC6322200	32	32.2	28.1	2.0	2200

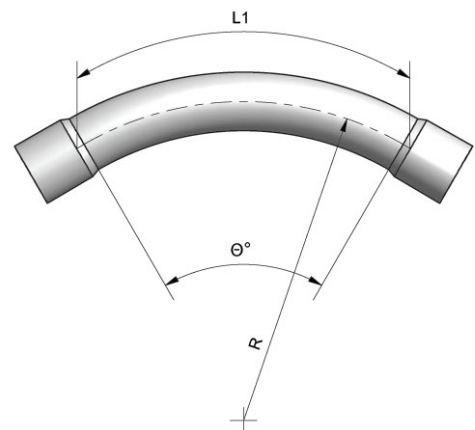


Note: • Class 9 also available
• Other lengths are available upon request

PVC Fittings for Telecommunications - Suits Austel Spec TS009

PVC Bends Socket x Socket:

Product Code	Typical Dimensions			
	Nominal Size (mm)	Degree θ°	C'Line Radius (mm) R	Length (mm) L1
92045150R	20	45	150	118
92090150R	20	90	150	236
92545150R	25	45	150	118
92590150R	25	90	150	236
93245300R	32	45	300	326
93290300R	32	90	300	236
95022300R	50	22	300	115
95045300R	50	45	300	236
95090300R	50	90	300	471
98022375R	80	22	375	144
98045375R	80	45	375	295
98090375R	80	90	375	589
9100225450R	100	22.5	450	177
910045450R	100	45	450	353
910090450R	100	90	450	707



Note: • Other sizes available upon request, subject to availability

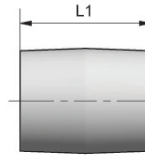
Note: • All drawings, dimensions, mass and volume are approximate only. If critical contact Iplex Pipelines.
• Custom made large radius bends available upon request.
• Telecommunication & Telstra fittings in 100mm have the same OD (114mm).

Telecommunications Conduits & Fittings

PVC Fittings for Telecommunications - Suits Austel Spec TS009

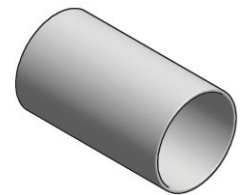
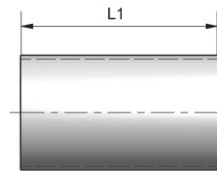
PVC Straight Couplings:

Product Code	Typical Dimensions	
	Nominal Size (mm)	Length (mm) L1
91032	32	85
91050	50	145
91080	80	200
910100	100	245



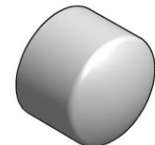
PVC Slip Couplings:

Product Code	Typical Dimensions	
	Nominal Size (mm)	Length (mm) L1
911S50	50	150
911S80	80	200
911S100	100	300



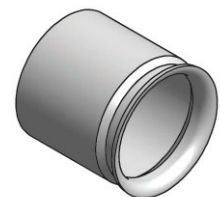
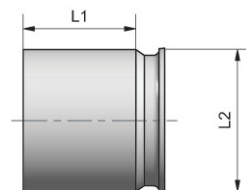
PVC Caps:

Product Code	Typical Dimensions	
	Nominal Size (mm)	Length (mm) L1
91250	50	35
91280	80	35
912100	100	35



PVC Bell Mouths:

Product Code	Typical Dimensions		
	Nominal Size (mm)	Length (mm) L1	Length (mm) L2
91150	50	40	75
91180	80	73	125
911100	100	99	150



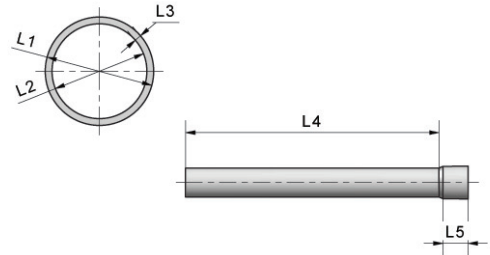
Note: • All drawings, dimensions, mass and volume are approximate only. If critical contact Iplex Pipelines.
• Telecommunication & Telstra fittings in 100mm have the same OD (114mm).

Telecommunications Conduits & Fittings

PVC & PE Conduits for Telstra

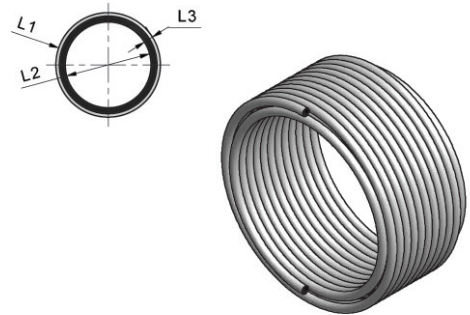
PVC Conduits – White (Branded “Telstra”):

Product Code	Typical Dimensions					
	Nominal Size (mm)	Mean OD (mm) L1	Mean ID (mm) L2	Wall Thickness (mm) L3	Nominal Length (m) L4	Socket Length (mm) L5
CTLO20	20	26.8	23.4	1.7	4.5	35
CTLR50	50	60.3	54.7	2.8	4.5	61
Q200100445	100	113.9	104.9	4.5	4	99



Polyethylene Coils White – (PE100 Branded “Telstra”):

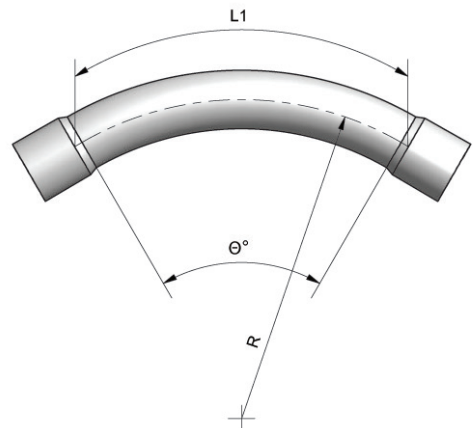
Product Code	Typical Dimensions						
	Nominal Size (mm)	SDR	Mean OD (mm) L1	Mean ID (mm) L2	Wall Thickness (mm) L3	Nominal Length (m)	Maximum Pulling Force (kN)
THCX1363140	63	13	63.3	53.3	5.0	140	7.2
THCX13110100	110	13	110.5	93.3	8.6	100	22



PVC & PE Fittings for Telstra

PVC Bends Socket x Socket:

Product Code	Typical Dimensions				
	Telstra Code	Nominal Size (mm)	Degree Θ°	C'Line Radius (mm) R	Length (mm) L1
CT73281	73/281	20	90	100	157
CT73271	73/271	20	90	300	471
CT73291	-	20	45	300	236
CT73295	73/295	50	22.5	300	118
CT73119	73/119	50	45	300	236
CT73276	73/376	50	90	300	471
CT73516	73/516	100	22.5	800	314
CT73515	73/515	100	45	356	280
CT73286	73/286	100	90	356	559
CT73302	73/302	100	90	508	798



Note: • Other sizes available upon request, subject to availability

Note: • All drawings, dimensions, mass and volume are approximate only. If critical contact Iplex Pipelines.
 • Custom made large radius bends available upon request.
 • Telecommunication & Electrical fittings in 100mm have the same OD (114mm).

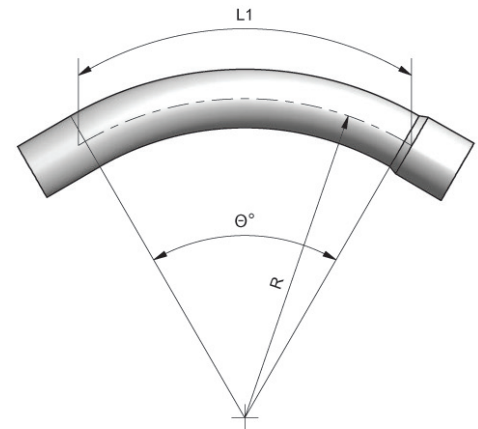
Telecommunications Conduits & Fittings

PVC & PE Fittings for Telstra

PVC Bends Socket x Spigot

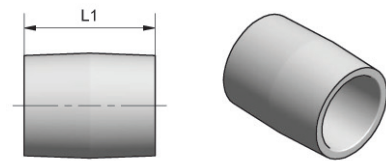
Product Code	Typical Dimensions				
	Telstra Code	Nominal Size (mm)	Degree θ°	C'Line Radius (mm) R	Length (mm) L1
CT73110	73/110	50	90	800	1257
CT73222	73/222	100	22.5	5000	2356
CT73121	73/121	100	45	800	628
CT73109	73/109	100	90	800	1257

Note: • Other sizes available upon request, subject to availability



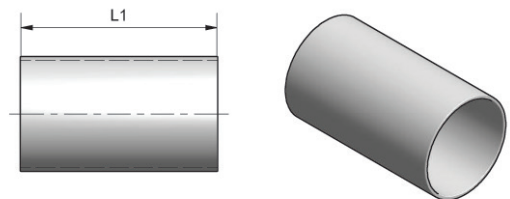
PVC Straight Couplings

Product Code	Typical Dimensions		
	Telstra Code	Nominal Size (mm)	Length (mm) L1
P00720	73/37	20	43
P00750	73/48	50	76
CT73241	73/241	100	255



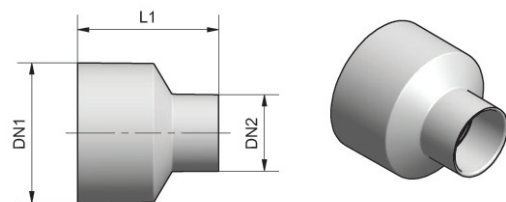
PVC Slip Couplings

Product Code	Typical Dimensions		
	Telstra Code	Nominal Size (mm)	Length (mm) L1
CT7356	73/56	20	-
CT73116	73/116	50	150
CT73112	73/112	100	202



PVC Reducing Couplings

Product Code	Typical Dimensions			
	Telstra Code	Nominal Size (mm) DN1	Nominal Size (mm) DN2	Length (mm) L1
CT73179	73/179	50	20	190
P00810050	73/150	100	50	122
CT73311	73/31	100	80	280



Note: • All drawings, dimensions, mass and volume are approximate only. If critical contact Iplex Pipelines.
 • Custom made large radius bends available upon request.
 • Telecommunication & Electrical fittings in 100mm have the same OD (114mm).

Telecommunications Conduits & Fittings

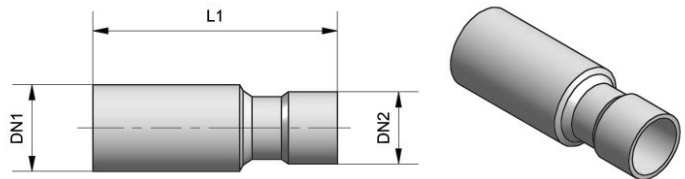
PVC & PE Fittings for Telstra

PVC Telstra to Communications Connector

Product Code	Typical Dimensions		
	Telstra Code	Nominal Size (mm)	Length (mm) L1
CT73315	-	50	-

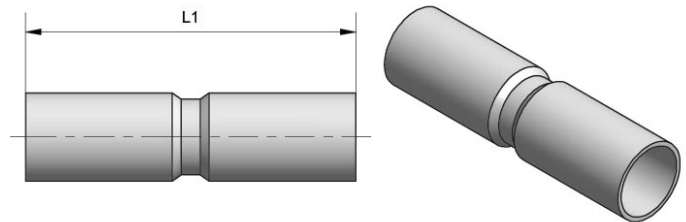
Polyethylene to PVC Couplings – Non Axial Restraint

Product Code	Typical Dimensions			
	Telstra Code	Nominal Size (mm) DN1	Nominal Size (mm) DN2	Length (mm) L1
CT73176	73/176	63	50	220
CT73185	73/185	110	100	250



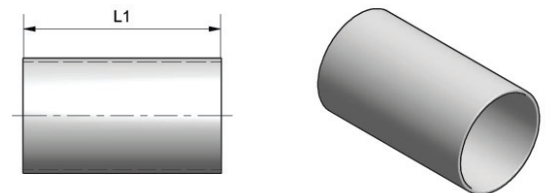
Polyethylene Couplings – Non Axial Restraint

Product Code	Typical Dimensions		
	Telstra Code	Nominal Size (mm)	Length (mm) L1
CT73300	-	63	280
CT73507	-	110	270



Polyethylene Slip Couplings

Product Code	Typical Dimensions		
	Telstra Code	Nominal Size (mm)	Length (mm) L1
CT73513	73/513	110	185



PVC Conduit Bushes

Product Code	Typical Dimensions		
	Telstra Code	Nominal Size (mm)	Length (mm) L1
CT73100	73/100	20	23
CT7370	73/70	50	45
CT73102	73/102	100	69



Note: • All drawings, dimensions, mass and volume are approximate only. If critical contact Iplex Pipelines.
• Telecommunication & Electrical fittings in 100mm have the same OD (114mm).

Telecommunications Conduits & Fittings

PVC & PE Fittings for Telstra

PVC Conduit Split Bushes:

Product Code	Typical Dimensions	
	Telstra Code	Nominal Size (mm)
CT73188	73/188	20
CT73190	73/190	50
CT73514	438/52	100



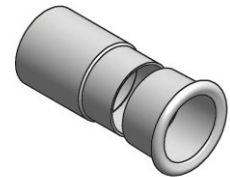
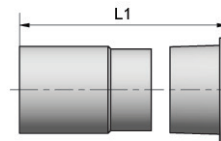
Polyethylene Conduit Bush (Black):

Product Code	Typical Dimensions		
	Telstra Code	Nominal Size (mm)	Length (mm) L1
CT73143	73/142	63	64



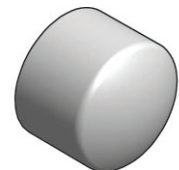
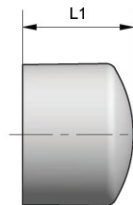
Polyethylene Conduit Adaptor & Bush:

Product Code	Typical Dimensions		
	Telstra Code	Nominal Size (mm)	Length (mm) L1
CT73500	73/500	110	203



PVC Caps:

Product Code	Typical Dimensions		
	Telstra Code	Nominal Size (mm)	Length (mm) L1
P00620	73/58	20	32
P00650	73/90	50	52
CT7335	73/35	100	91



EPDM Plugs:

Product Code	Typical Dimensions	
	Telstra Code	Nominal Size (mm)
CT73216	73/216	20
CT73218	73/218	50
CT7344	73/44	100



Note: ● All drawings, dimensions, mass and volume are approximate only. If critical contact Iplex Pipelines.
● Telecommunication & Electrical fittings in 100mm have the same OD (114mm).

Telecommunications Conduits & Fittings

Posts and Base

Above Ground Jointing Post:

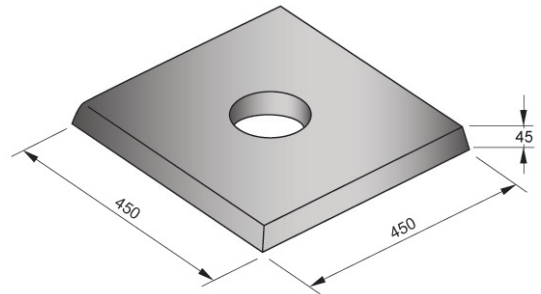
Product Code	Typical Dimensions		
	Telstra Code	Length (mm) L1	Length (mm) L2
CT77102	77/102	900	200

Note: Includes cap and concealed ventilation holes
- Protective overlay for above ground cable joints



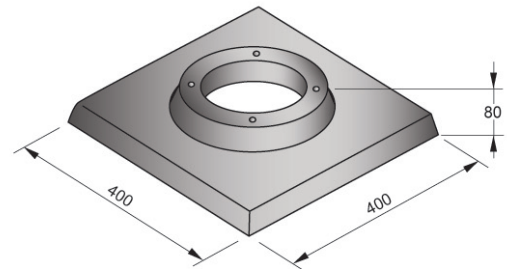
Post Base:

Product Code	Typical Dimensions			
	Telstra Code	Length (mm) L1	Length (mm) L2	Hole Dia. (mm)
CT77103	77/106	450	45	225



Pillar Base Drilled:

Product Code	Typical Dimensions			
	Telstra Code	Length (mm) L1	Length (mm) L2	Hole Dia. (mm)
CT43092	430/92	400	80	-

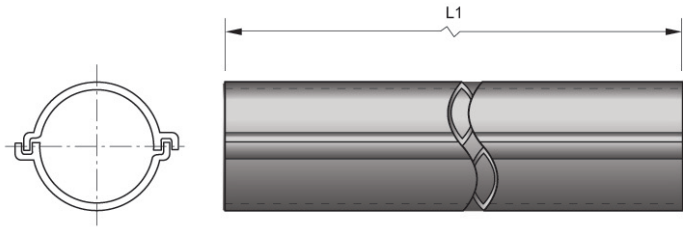


Telecommunications Conduits & Fittings

Repair System

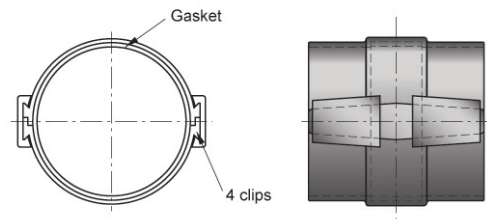
PVC Split Conduit - Lockable:

Product Code	Typical Dimensions		
	Telstra Code	Nominal Size (mm)	Length (mm) L1
CT73223	73/223	100	3000



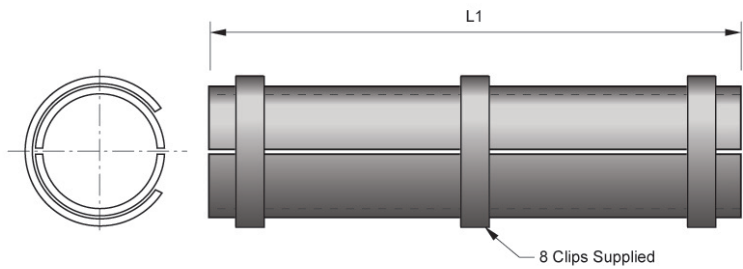
PVC Split Coupling - White:

Product Code	Typical Dimensions		
	Telstra Code	Nominal Size (mm)	Length (mm) L1
CT73113	73/113	100	-



PVC Split Repair Sleeve:

Product Code	Typical Dimensions		
	Telstra Code	Nominal Size (mm)	Length (mm) L1
CT73305	73/305	20	1000
CT73306	73/306	35	1000
CT73307	73/307	50	1000
CT73285	73/285	100	1000

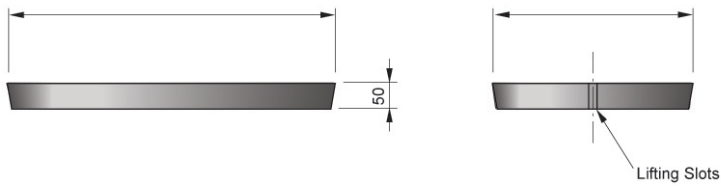


Note: • All drawings, dimensions, mass and volume are approximate only. If critical contact Iplex Pipelines.

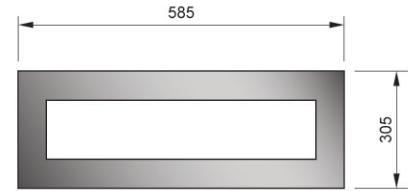
Pits & Accessories

P1 Pit Assembly:

Product	Product Code	Telstra Code	No. Required
Pit Body	CT99115	-	1
Concrete Cover - Telstra	CT99127	99/127	1
Concrete Cover - Electrical	CT99127E	-	
Concrete Collar	CT99135	99/135	1



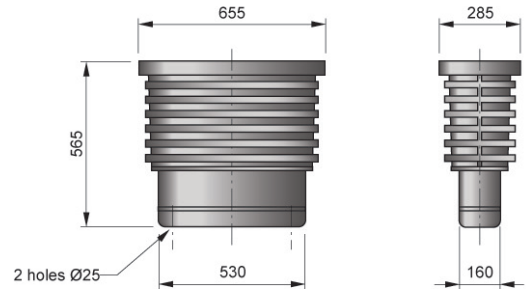
Concrete Cover



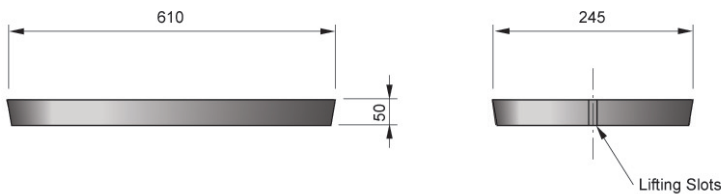
Concrete Collar

P2 Pit Assembly:

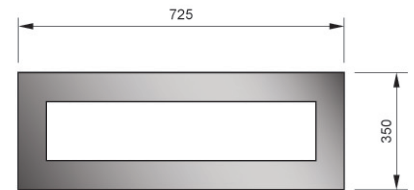
Product	Product Code	Telstra Code	No. Required
Pit Body	CT9998	99/98	1
Concrete Cover - Telstra	CT9959	99/59	1
Concrete Cover - Electrical	CT9959E	-	
Concrete Cover - Communication	CT9959C	-	
Blank Gasket	CT99001	-	1
Optional Accessories			
Concrete Collar	CT99136	99/136	1



Pit Body



Concrete Cover



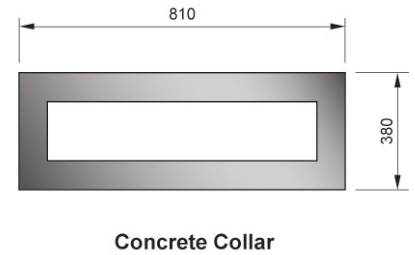
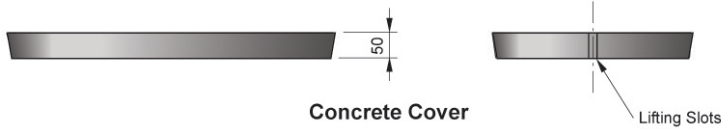
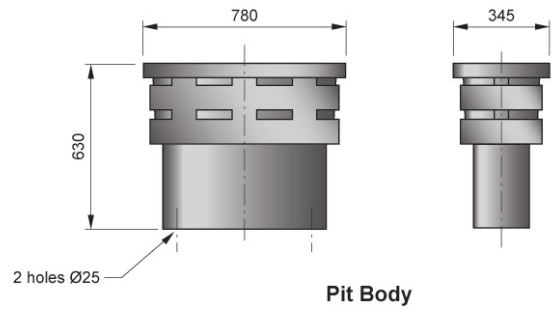
Concrete Collar

Note: • All drawings, dimensions, mass and volume are approximate only. If critical contact Iplex Pipelines.

Pits & Accessories

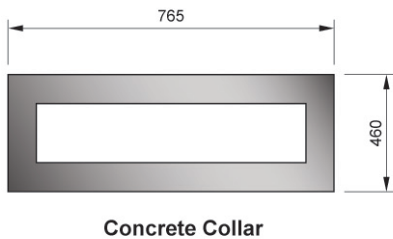
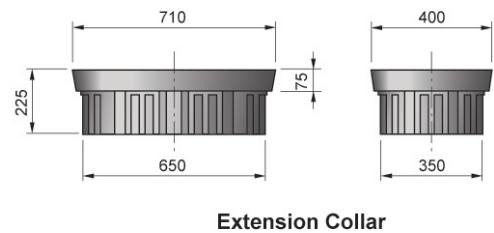
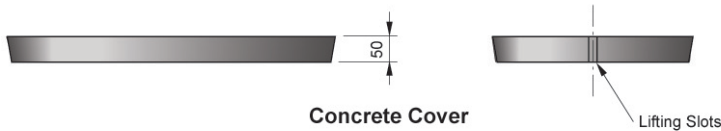
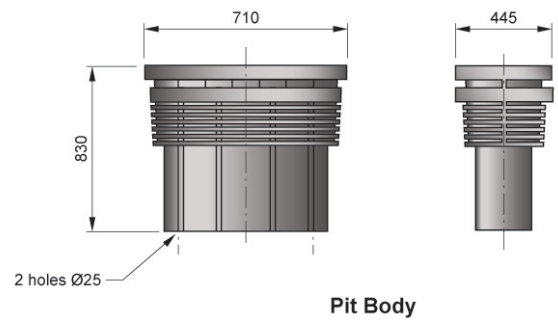
P3 Pit Assembly:

Product	Product Code	Telstra Code	No. Required
Pit Body	CT99117	99/117	1
Concrete Cover - Telstra	CT9960	99/60	1
Concrete Cover - Electrical	CT9960E	-	
Concrete Cover - Communication	CT9960C	-	
Blank Gasket	CT99002	-	1
Optional Accessories			
Concrete Collar	CT99137	99/137	1



P4 Pit Assembly:

Product	Product Code	Telstra Code	No. Required
Pit Body	CT99118	99/118	1
Concrete Cover - Telstra	CT9961	99/61	1
Concrete Cover - Electrical	CT9961E	-	
Concrete Cover - Communication	CT9961C	-	
Blank Gasket	CT99003	-	1
Optional Accessories			
Extension Collar	CT99175	99/175	1
Concrete Collar	CT99138	99/138	1

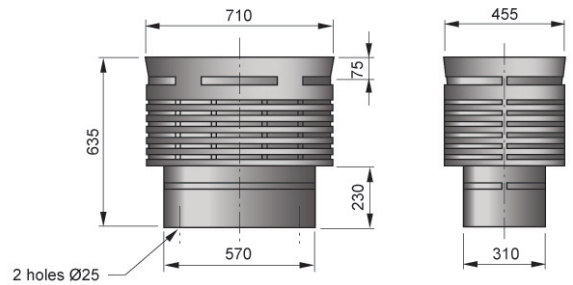


Note: • All drawings, dimensions, mass and volume are approximate only. If critical contact Iplex Pipelines.

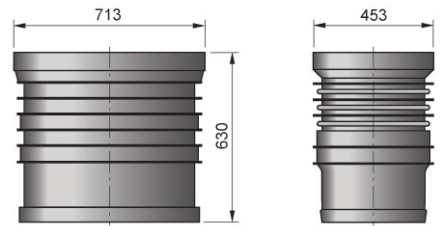
Pits & Accessories

P5 Pit Assembly:

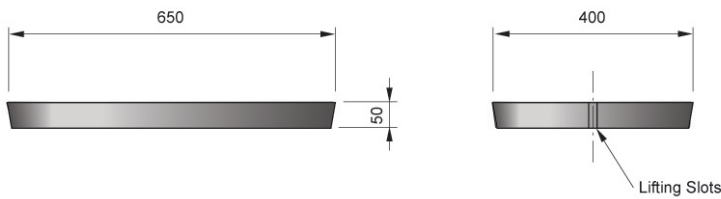
Product	Product Code	Telstra Code	No. Required
Pit Body - Roto Moulded	CT99165	99/165	1
Pit Body - Injection Moulded	CT99165B	99/165B	
Pit Body - Split	CT99182	99/182	
Concrete Cover - Telstra	CT99166	99/66	1
Concrete Cover - Electrical	CT99166E	-	
Concrete Cover - Communication	CT99166C	99/66C	
Blank Gasket	CT99177	99/177	1
Optional Accessories			
Extension Collar	CT99173	99/173	1
Concrete Collar	CT73510	73/510	1



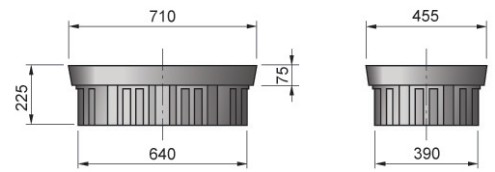
Pit Body



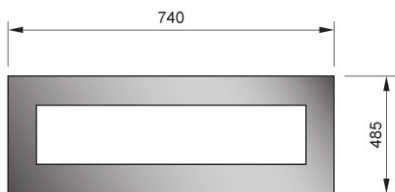
Pit Body - Split



Concrete Cover



Extension Collar



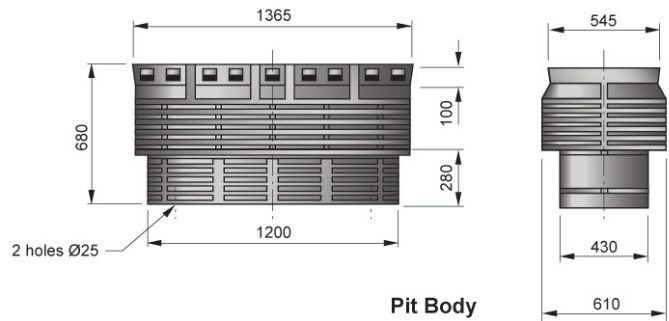
Concrete Collar

Note: • All drawings, dimensions, mass and volume are approximate only. If critical contact Iplex Pipelines.

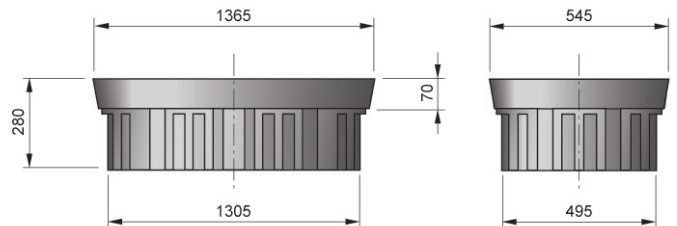
Pits & Accessories

P6 Pit Assembly:

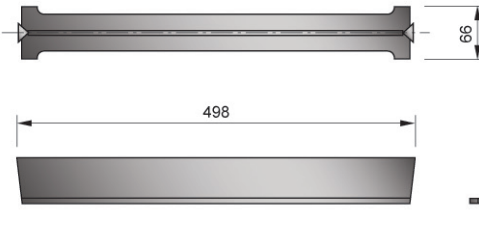
Product	Product Code	Telstra Code	No. Required
Pit Body - Roto Moulded	CT99161	99/161	1
Concrete Cover - Telstra	CT9962	99/62	2
Concrete Cover - Electrical	CT9962E	-	
Concrete Cover - Communication	CT9962C	99/62C	
Cross Bars - Cast Iron	GM9900067	99/67	1
Blank Gasket	CT99164	99/164	2
Optional Accessories			
Extension Collar	CT99172	99/172	1
Concrete Collar	CT73518	-	1



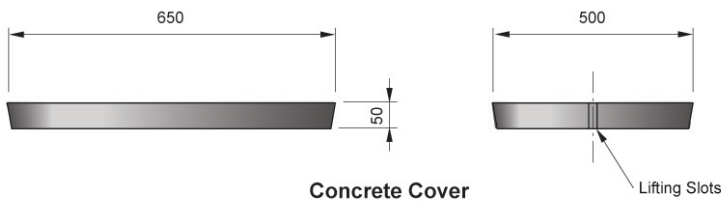
Pit Body



Extension Collar



Cross Bars



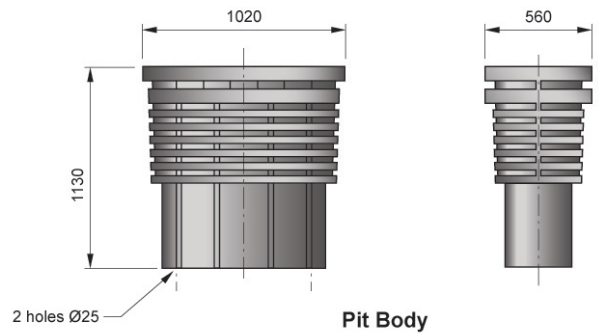
Concrete Cover



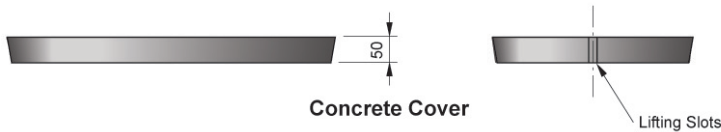
Concrete Collar

P7 Pit Assembly:

Product	Product Code	Telstra Code	No. Required
Pit Body	CT99LP7	66/LP7	1
Concrete Cover - Telstra	CT9910	99/10	-



Pit Body



Concrete Cover

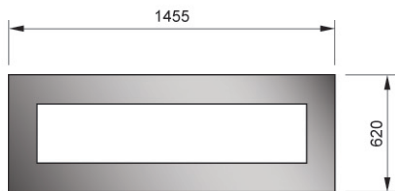
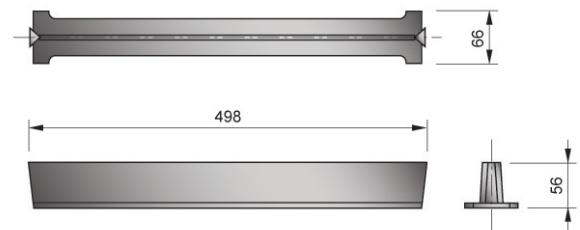
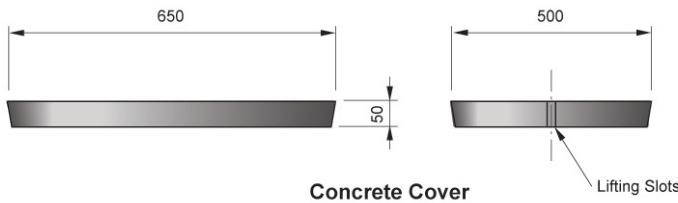
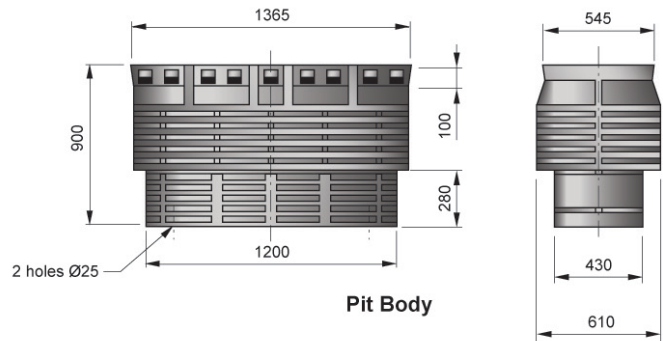
Note: • All drawings, dimensions, mass and volume are approximate only. If critical contact Iplex Pipelines.



Pits & Accessories

P8 Pit Assembly:

Product	Product Code	Telstra Code	No. Required
Pit Body	CT99162	99/162	1
Concrete Cover - Telstra	CT9962	99/62	2
Concrete Cover - Electrical	CT9962E	-	
Concrete Cover - Communication	CT9962C	-	
Cross Bar - Cast Iron	GM9900067	99/67	1
Optional Accessories			
Concrete Collar	CT73518	-	1

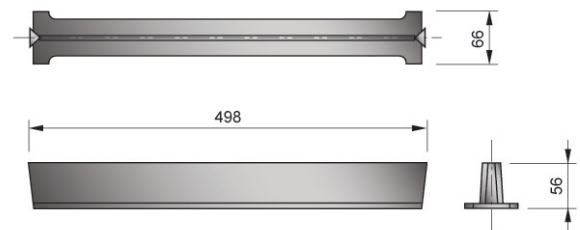
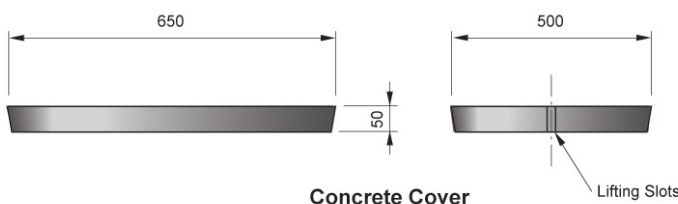
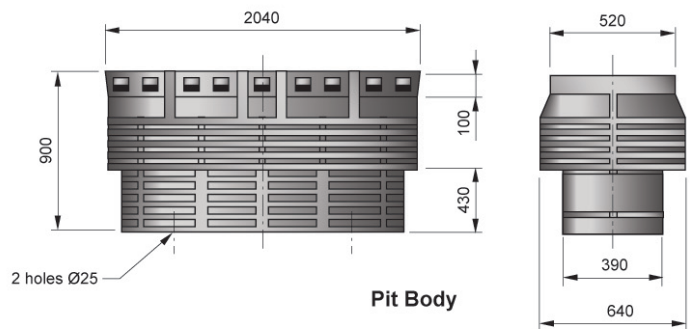


Concrete Collar

Cross Bars

P9 Pit Assembly:

Product	Product Code	Telstra Code	No. Required
Pit Body	CT99163	99/163	1
Concrete Cover - Telstra	CT9962	99/62	3
Concrete Cover - Electrical	CT9962E	-	
Concrete Cover - Communication	CT9962C	99/62C	
Cross Bar - Cast Iron	GM9900067	99/67	2
Blank Gasket	CT99164	99/164	3



Concrete Cover

Cross Bars

Note: • All drawings, dimensions, mass and volume are approximate only. If critical contact Iplex Pipelines.



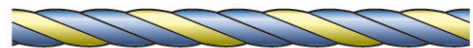
Pits & Accessories

Miscellaneous Pit Items:

Product Code	Telstra Code	Description
CT99132	99/132	Plug for pit lid (P5, P6 & P9)
CT99174	99/174	Pit Re-instatement Kit Telstra
CT996422001	-	Telco Screw T17 SS
CT34269	34/269	Telco Asbestos Bag (Warning Telstra)
CT73501	73/501	Telco Pit Cover 300mm x 0.79m (P5 Pit)
CT73502	73/502	Telco Pit Cover 300mm x 1.47m (P6 Pit)
CT7792	73/92	Low Level Cable Box White
CT97104	97/104	Telco ID Tag 63x35 Telstra

Polypropylene Rope:

Product Code	Telstra Code	Description
CT675294	675/00294	6-6.5mm x 400m Blue/Yellow Telco Rope 5.9KN



Polypropylene Draw Cord:

Product Code	Telstra Code	Description
CT67583	675/583	3mm x 1000m Telco Orange Draw Cord

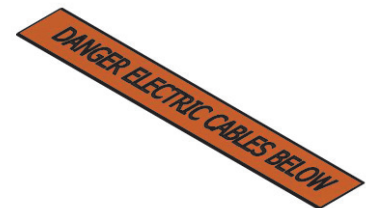


Earth Lead:

Product Code	Telstra Code	Description
CT7374081	740/81	3mm x 3m Telco Lead

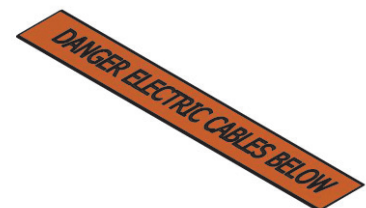
Marker Tape Non-Detectable:

Product Code	Description
C912.06	Marker Tape 100x250m Non Detectable Orange Electrical
C912.061	Marker Tape 150x500m Non Detectable Orange Electrical
C912.081	Marker Tape 150x500m Non Detectable White Comms



Marker Tape Detectable:

Product Code	Description
MTAPEORG200	Marker Tape 200X250m Detectable Orange Electrical
MTAPEWHT355	Marker Tape 355x250m Detectable White Comms



Note: • All drawings, dimensions, mass and volume are approximate only. If critical contact Iplex Pipelines.

Pits & Accessories

Butyl Rubber:

Product Code	Description
CT078867	3mm x 15m Black Bostik Butyl Rubber

Solvent Cements:

Product Code	Description
JNB0125	PVC Non Pressure Blue Solvent Cement 125ml
JNB0250	PVC Non Pressure Blue Solvent Cement 250ml
JNB0500	PVC Non Pressure Blue Solvent Cement 500ml
JNB1000	PVC Non Pressure Blue Solvent Cement 1L
JNB4000	PVC Non Pressure Blue Solvent Cement 4L
JPM0250	Low Vapour Cement 250ml
JPM0500	Low Vapour Cement 500ml



Priming Fluid:

Product Code	Description
JR0250	PVC Red Priming Fluid 250ml
JR0500	PVC Red Priming Fluid 500ml



Gatic® Sealant:

Product Code	Description
GM37504	Gatic Sealing Compound 4kg



Gatic® Lifters and Accessories:

Wheeled Lifters

Product Code	Description
GM374US	750x600D Technilifter Small Wheel Base Lifter
GM374UL	900x900D Technilifter Small Wheel Base Lifter

Winch Lifter

Product Code	Description
GM374ULL	1200HD Winchlifter

Lifting Handles

Product Code	Description
GM374SH	Lifting Key Short Handle
GM374LH	Lifting Key Long Handle

Lifting Key Pack

Product Code	Description
GM374LHP	Contains: 2 x LH Lifters, 1 x SH Lifter, 2 x Lengths 25mm Dia Gal Pipe, 1 x Spanner, 1 x Scraper & 1 x Bag



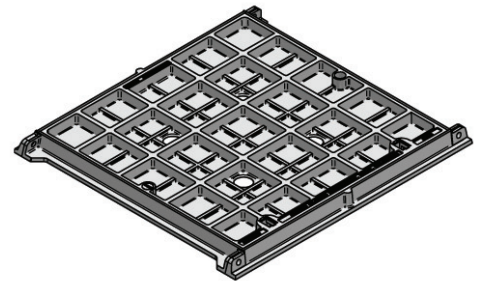
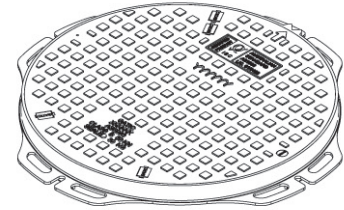
Note: • All drawings, dimensions, mass and volume are approximate only. If critical contact Iplex Pipelines.



Pits & Accessories

Gatic® Covers & Frames:

Product Code	Description
GM300S6BVRE	610 Diameter Class B Circular Cover & Frame – CI Solid Top (Electrical)
GM300S6BVRC	610 Diameter Class B Circular Cover & Frame – CI Solid Top (Communications)
GM301C66B	610 x 610 Class B Cover & Frame – CI 1 PT Concrete Infill
GM301C64B	610 x 457 Class B Cover & Frame – CI 1 PT Concrete Infill



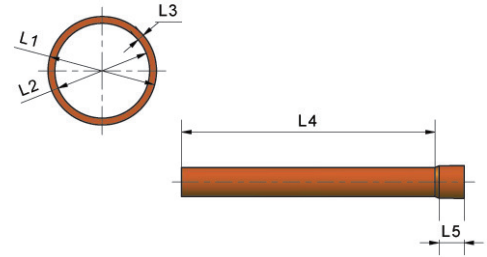
Note: • All drawings, dimensions, mass and volume are approximate only. If critical contact Iplex Pipelines.

Electrical Conduits & Fittings

PVC Electrical Conduit - Manufactured to AS/NZS 2053.2

Light Duty Orange Electrical:

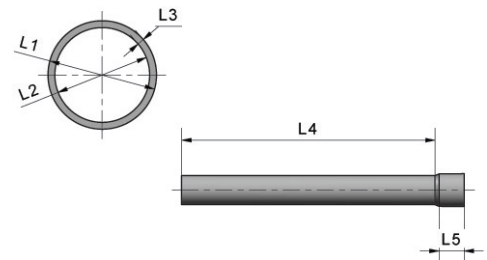
Product Code	Typical Dimensions					
	Nominal Size (mm)	Mean OD (mm) L1	Mean ID (mm) L2	Wall Thickness (mm) L3	Nominal Length (m) L4	Socket Length (mm) L5
P300806*	80	88.7	94.9	1.8	6	73
P400806	80	88.7	83.7	2.4	6	73
P4001003	100	114.1	107.8	3	3	99
P4001006	100	114.1	107.8	3	6	99
P4001256	125	140	132.2	3.7	6	115
P4001506	150	160	151.3	4.2	6	124
P4002006	200	225	213.8	5.4	6	140



Note: *Very Light Duty

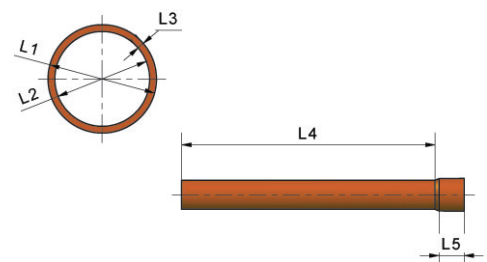
Medium Duty Grey Electrical:

Product Code	Typical Dimensions					
	Nominal Size (mm)	Mean OD (mm) L1	Mean ID (mm) L2	Wall Thickness (mm) L3	Nominal Length (m) L4	Socket Length (mm) L5
P500164	16	15.7	12.4	1.6	4	13
P500204	20	19.7	16	1.8	4	16
P500254	25	24.7	21	1.8	4	20
P500324	32	31.7	27.4	2.1	4	25
P500404	40	39.7	34.8	2.4	4	32
P500504	50	49.7	44	2.8	4	40



Heavy Duty Orange Electrical:

Product Code	Typical Dimensions					
	Nominal Size (mm)	Mean OD (mm) L1	Mean ID (mm) L2	Wall Thickness (mm) L3	Nominal Length (m) L4	Socket Length (mm) L5
P600204	20	19.7	15	2.3	4	16
P600254	25	24.7	19.6	2.5	4	20
P600324	32	31.7	26.2	2.7	4	25
P600404	40	39.7	33.4	3.1	4	32
P600504	50	49.7	42.6	3.4	4	40
P600634	63	62.7	54.5	3.9	4	50
P600804*	80	88.7	79	4.6	4	73
P6001004*	100	114.1	101.7	5.9	4	99
P6001254*	125	140	124.9	7.2	4	115
P6001504*	150	160	142.7	8.3	4	124
P6002004*	200	225	203.1	10.5	4	140



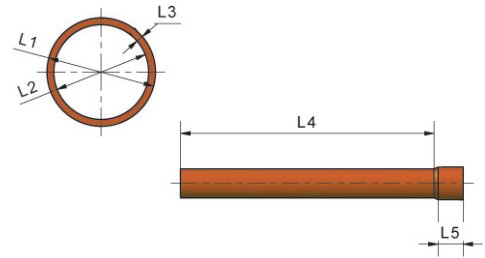
Note: *Sizes 80mm – 200mm are foam core construction

Electrical Conduits & Fittings

PVC Electrical Conduit - Manufactured to AS/NZS 2053.2

Solid Wall Heavy Duty Orange Electrical (VIC Market):

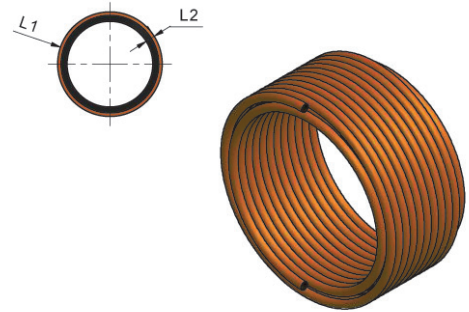
Product Code	Typical Dimensions					
	Nominal Size (mm)	Mean OD (mm) L1	Mean ID (mm) L2	Wall Thickness (mm) L3	Nominal Length (m) L4	Socket Length (mm) L5
EHDO80D	80	88.7	79	4.6	4	73
EHDO100D	100	114.1	101.7	5.9	4	99
EHDO125D	125	140	124.9	7.2	4	115
EHDO150D	150	160	142.7	8.3	4	124
EHDO200F	200	225	203.1	10.5	6	140



PE Electrical Conduit - Manufactured to AS/NZS 4130 dimensions

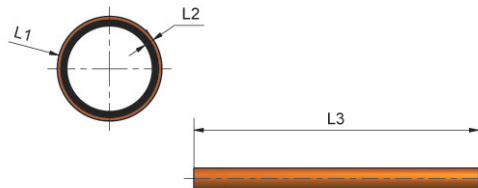
Polyethylene Conduit HDPE Orange Coils:

Product Code	Typical Dimensions					
	Nominal Size (mm)	Mean OD (mm) L1	SDR	Wall Thickness (mm) L2	Nominal Length (m)	Maximum Pulling Force (kN)
EHCX11110100	110	110.5	11	10	100	26.4
EHCX11140100	140	140.7	11	12.7	100	42.7
EHCX1363140	63	63.3	13.6	4.7	140	7.2
EHCX1390100	90	90.5	13.6	6.6	100	14.6
EHCX13110100	110	110.5	13.6	8.1	100	22
EHCX13125100	125	125.6	13.6	9.2	100	28.2
EHCX1314060	140	140.7	13.6	10.3	60	35.3
EHCX13140100	140	140.7	13.6	10.3	100	35.3



Polyethylene Conduit HDPE Straight Lengths:

Product Code	Typical Dimensions					
	Nominal Size (mm)	Mean OD (mm) L1	SDR	Wall Thickness (mm) L2	Nominal Length (m) L3	Maximum Pulling Force (kN)
EHCX13140M	140	140.7	13.6	10.6	12	35.3
EHCX13180M	180	180.9	13.6	13.3	12	58.5
EHCX13225M	225	226.1	13.6	16.6	12	90.9
EHCX13250M	250	251.2	13.6	18.4	12	112.1
EHCX13315M*	315	316.5	13.6	23.2	12	178



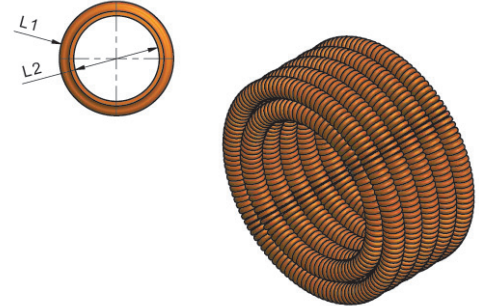
Note: *Subject to availability

Electrical Conduits & Fittings

Flexible Conduit - Manufactured to AS/NZS 2053.5

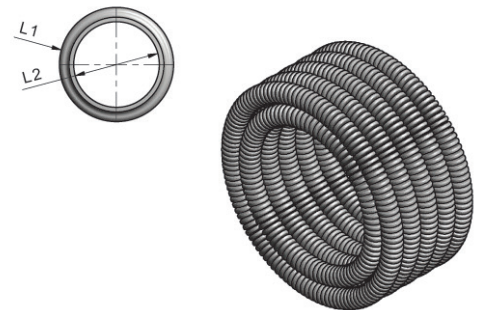
Electrical Corrugated Heavy Duty Orange:

Product Code	Typical Dimensions			
	Nominal Size (mm)	Mean OD (mm) L1	Mean ID (mm) L2	Nominal Length (m)
P600FC2010	20	19.7	16.5	10
P600FC2020	20	19.7	16.5	20
P600FC2050	20	19.7	16.5	50
P600FC2510	25	24.6	16.5	10
P600FC2520	25	24.6	16.5	20
P600FC2550	25	24.6	16.5	50
P600FC3210	32	31.6	22	10
P600FC3225	32	31.6	22	25
P600FC4010	40	39.6	28.3	10
P600FC4025	40	39.6	28.3	25
P600FC5010	50	49.5	36	10
P600FC5025	50	49.5	36	25
P600FC6310	63	62.4	46	10



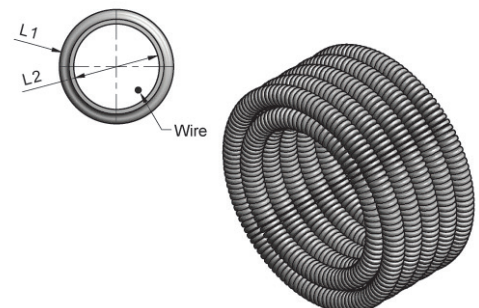
Electrical Corrugated Medium Duty Grey:

Product Code	Typical Dimensions			
	Nominal Size (mm)	Mean OD (mm) L1	Mean ID (mm) L2	Nominal Length (m)
P500FC1610	16	15.7	10.7	10
P500FC1650	16	15.7	10.7	50
P500FC2010	20	19.7	14.1	10
P500FC2020	20	19.7	14.1	20
P500FC2050	20	19.7	14.1	50
P500FC2510	25	24.6	18.3	10
P500FC2520	25	24.6	18.3	20
P500FC2550	25	24.6	18.3	50
P500FC3210	32	31.6	24.3	10
P500FC3225	32	31.6	24.3	25
P500FC4010	40	39.6	31.2	10
P500FC4025	40	39.6	31.2	25
P500FC5010	50	49.5	39.6	10



Electrical Corrugated Medium Duty Grey - with Drawire:

Product Code	Typical Dimensions			
	Nominal Size (mm)	Mean OD (mm) L1	Mean ID (mm) L2	Nominal Length (m)
P500FC2025DW	20	19.7	16.5	25
P500FC2050DW	20	19.7	16.5	50
P500FC2525DW	25	24.6	16.5	25
P500FC2550DW	25	24.6	16.5	50
P500FC3225DW	32	31.6	22	25
P500FC4025DW	40	39.6	31.2	25



Note: • All drawings, dimensions, mass and volume are approximate only. If critical contact Iplex Pipelines.

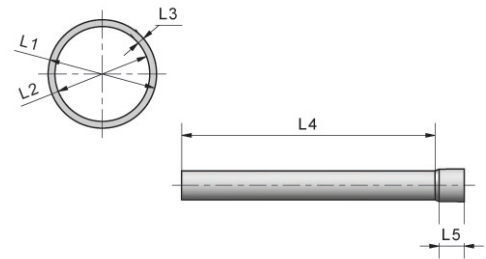
Electrical Conduits & Fittings

Flexible Conduit

Electrical Grey Solar Heavy Duty Conduit:

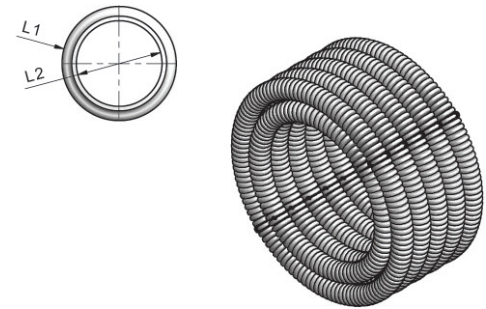
Rigid - Manufactured to AS/NZS 2053.2

Product Code	Typical Dimensions					
	Nominal Size (mm)	Mean OD (mm) L1	Mean ID (mm) L2	Wall Thickness (mm) L3	Nominal Length (m) L4	Socket Length (mm) L5
P600204S	20	19.7	15	2.3	4	16
P600254S	25	24.7	19.6	2.5	4	20
P600324S	32	31.7	26.2	2.7	4	25



Corrugated - Manufactured to AS/NZS 2053.5

Product Code	Typical Dimensions			
	Nominal Size (mm)	Mean OD (mm) L1	Mean ID (mm) L2	Nominal Length (m)
P600FC2050S	20	19.7	16.5	50
P600FC2550S	25	24.6	16.5	50
P600FC3250S	32	31.6	22	50



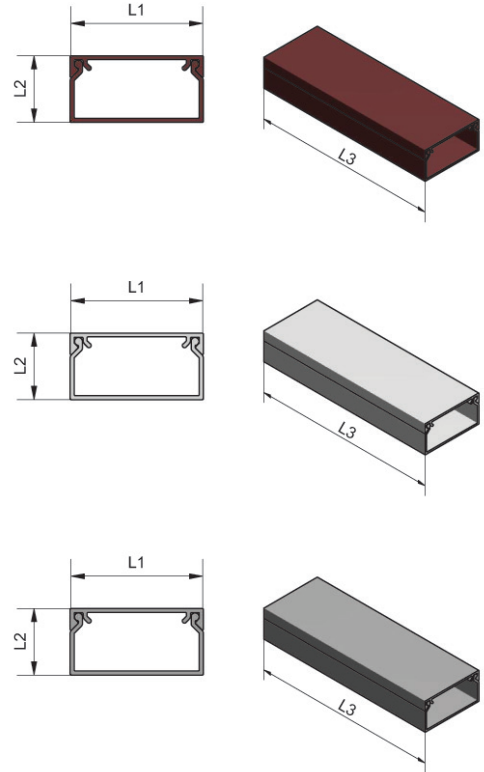
Note: • All drawings, dimensions, mass and volume are approximate only. If critical contact Iplex Pipelines.

Electrical Conduits & Fittings

Ducting

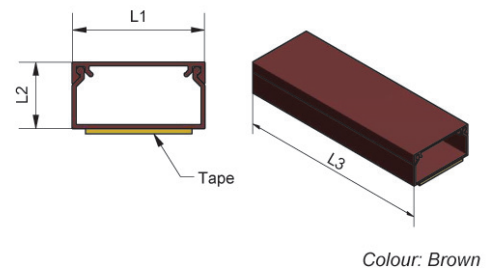
Ducting - Manufactured to AS/NZS 4296:

Product Code	Typical Dimensions			Colour
	Width (mm) L1	Height (mm) L2	Nominal Length (m) L3	
P800D1610B	16	10	4	Brown
P800D1610W	16	10	4	White
P800D1616B	16	16	4	Brown
P800D1616W	16	16	4	White
P800D2516B	25	16	4	Brown
P800D2516W	25	16	4	White
P800D2525B	25	25	4	Brown
P800D2525W	25	25	4	White
P800D4025B	40	25	4	Brown
P800D4025W	40	25	4	White
P800D5025G	50	25	4	Grey
P800D5025B	50	25	4	Brown
P800D5025W	50	25	4	White
P800D7550G	75	50	4	Grey
P800D7550W	75	50	4	White
P800D7575G	75	75	4	Grey
P800D7575W	75	75	4	White
P800D10050G	100	50	4	Grey
P800D10050W	100	50	4	White
P800D100100G	100	100	4	Grey
P800D100100W	100	100	4	White
P800D15075G	150	75	4	Grey
P800D15075W	150	75	4	White



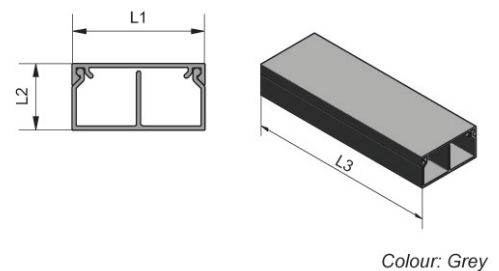
Ducting c/w Double Sided Tape:

Product Code	Typical Dimensions			Colour
	Width (mm) L1	Height (mm) L2	Nominal Length (m) L3	
P800D1610BT	16	10	4	Brown
P800D1610WT	16	10	4	White
P800D1616BT	16	16	4	Brown
P800D1616WT	16	16	4	White
P800D2516BT	25	16	4	Brown
P800D2516WT	25	16	4	White
P800D2525BT	25	25	4	Brown
P800D2525WT	25	25	4	White



Dual Ducting:

Product Code	Typical Dimensions			Colour
	Width (mm) L1	Height (mm) L2	Nominal Length (m) L3	
P800DD4025B	40	25	4	Brown
P800DD4025G	40	25	4	Grey
P800DD4025W	40	25	4	White
P800DD5025B	50	25	4	Brown
P800DD5025G	50	25	4	Grey
P800DD5025W	50	25	4	White



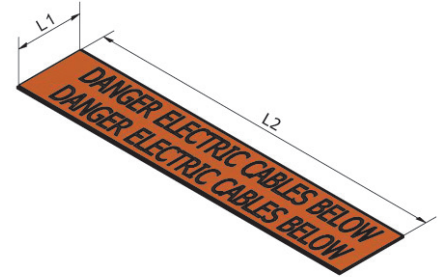
Note: • All drawings, dimensions, mass and volume are approximate only. If critical contact Iplex Pipelines.

Electrical Conduits & Fittings

Cable Cover

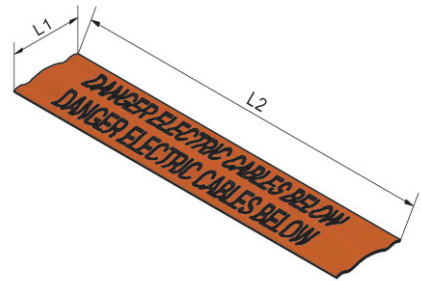
Electrical Cable Cover - Manufactured to AS/NZS 4702:

Product Code	Typical Dimensions		Markings
	Width (mm) L1	Nominal Length (m) L2	
ECS1502000	150	2	Single Print
ECS15025	150	25	Single Print
ECS15025DP	150	25	Double Print
ECS2001200	200	1.2	Single Print
ECS2002000	200	2	Single Print
ECS20025	200	25	Double Print
ECS20025DP	200	25	Double Print
ECS3001200	300	1.2	Single Print
ECS3002000	300	2	Single Print
ECS3002000DP	300	2	Double Print
ECS30015	300	15	Single Print
ECS30015DP	300	15	Double Print
ECS4501200DP	450	1.2	Double Print
ECS45020	450	20	Single Print



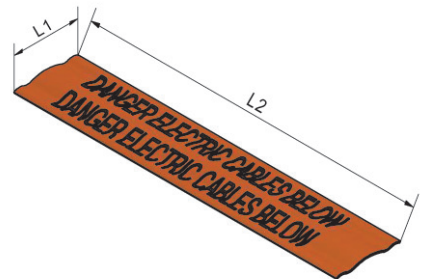
Corro Cover - Manufactured to AS/NZS 4702:

Product Code	Typical Dimensions		Markings
	Width (mm) L1	Nominal Length (m) L2	
ECCS2101200	210	1.2	Single Print
ECCS3001200	300	1.2	Single Print
ECCS3002100	300	2.1	Single Print



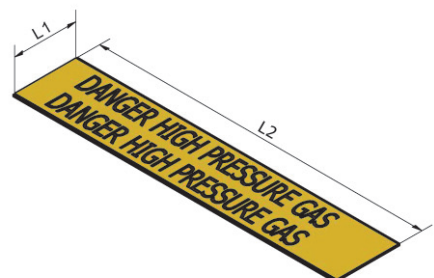
Cable Cover - Non Standard:

Product Code	Typical Dimensions	
	Width (mm) L1	Nominal Length (m) L2
ECNS15025	150	25
ECNS20025	200	25
ECNS30025	300	25



Gas Cover – Non Standard:

Product Code	Typical Dimensions	
	Width (mm) L1	Nominal Length (m) L2
ECGNS15025	150	25
ECGNS30025	300	25



Note: • All drawings, dimensions, mass and volume are approximate only. If critical contact Iplex Pipelines.

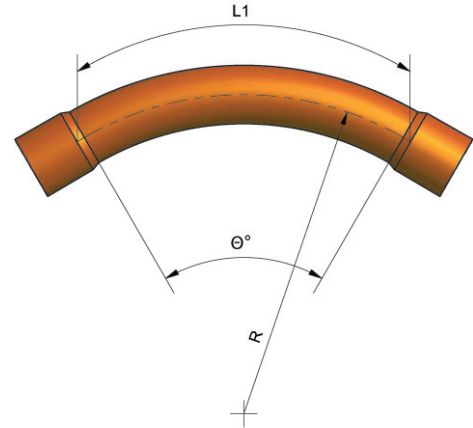


Telecommunications Conduits & Fittings

PVC & PE Fittings for Electrical

PVC Light Duty Bends Socket x Socket:

Product Code	Typical Dimensions			
	Nominal Size (mm)	Degree θ°	C'Line Radius (mm) R	Length (mm) L1
40180151830R	80	15	1830	479
40180301830R	80	30	1830	958
40180451830R	80	45	1830	1437
4018090450R	80	90	450	707
40180901000R	80	90	1000	1571
40180901200R	80	90	1200	1885
40110022450R	100	22.5	450	177
40110045450R	100	45	450	353
401100451200R	100	45	1200	942
401100451830R	100	45	1830	1437
40110090450R	100	90	450	707
40110090600R	100	90	600	942
401100901830R	100	90	1830	2875
401125111830R	125	11.25	1830	359
401125151830R	125	15	1830	479
401125221200R	125	22.5	1200	471
401125221830R	125	22.5	1830	719
401125301830R	125	30	1830	9678
401125451200R	125	45	1200	942
401125451830R	125	45	1830	1437
401125901000R	125	90	1000	1571
401125901200R	125	90	1200	1885
401125901830R	125	90	1830	2875
401150111200R	150	11.25	1200	236
401150111830R	150	11.25	1830	359
401150151830R	150	15	1830	479
401150221830R	150	22.5	1830	719
401150301830R	150	30	1830	958
401150451200R	150	45	1200	942
401150451830R	150	45	1830	1437
40115090900R	150	90	900	1414
401150901200R	150	90	1200	1885
401150901830R	150	90	1830	2875
401200151800R	200	15	1800	471
401200221500R	200	22.5	1500	589
401200301500R	200	30	1500	785
401200451500R	200	45	1500	1178
401200901500R	200	90	1500	2356
401200901800R	200	90	1800	2827



Note: • Other sizes available upon request, subject to availability

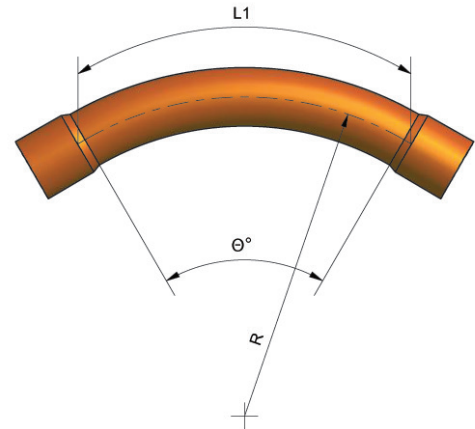


Telecommunications Conduits & Fittings

PVC & PE Fittings for Electrical

PVC Heavy Duty Bends Socket x Socket:

Product Code	Typical Dimensions			
	Nominal Size (mm)	Degree θ°	C'Line Radius (mm) R	Length (mm) L1
6032045150R*	20	45	150	118
6032090150R*	20	90	150	236
6032545150R*	25	45	150	118
6032590150R*	25	90	150	236
6033245300R*	32	45	300	236
6033290300R*	32	90	300	471
6034045300R*	40	45	300	236
6034090300R*	40	90	300	471
6034090600R	40	90	600	942
603409025300R ¹	40	90	300	471
6035011300R	50	11.25	300	59
6035022300R*	50	22.5	300	118
6035030300R	50	30	300	157
6035045300R*	50	45	300	236
6035045600R	50	45	600	471
60350451200R	50	45	1200	942
6035090300R*	50	90	300	471
6035090600R	50	90	600	942
60350901200R*	50	90	1200	1885
6036322300R	63	22.5	300	118
6036345300R*	63	45	300	236
6036345600R	63	45	600	471
6036390300R*	63	90	300	471
6036390600R	63	90	600	942
6038011375R	80	11.25	375	74
6038015450R	80	15	450	118
6038022375R*	80	22.5	375	147
6038030375R	80	30	375	196
6038045375R*	80	45	375	295
6038045450R	80	45	450	353
6038045600R	80	45	600	471
60380451830R	80	45	1830	1437
6038090375R*	80	90	375	589
6038090450R	80	90	450	707
6038090600R	80	90	600	942
60380901200R	80	90	1200	1885
60380901500R	80	90	1500	2356
60380901830R	80	90	1830	2875
60310011450R	100	11.25	450	88
60310011600R	100	11.25	600	118
603100111830R	100	11.25	1830	359
603100151830R	100	15	1830	479
603100221200R	100	22.5	1200	471
60310022450R	100	22.5	450	177
60310022600R*	100	22.5	600	236
60310030450R	100	30	450	236
60310030600R	100	30	600	314
60310030900R	100	30	900	471
603100301830R	100	30	1830	958



Note: *Common sizes, for stock availability please contact Iplex Pipelines
¹Lead In Bend (Hockey Stick) 40mm – 25mm x 90Deg with 300mm radius
 *Other sizes available upon request, subject to availability

Note: ● All drawings, dimensions, mass and volume are approximate only. If critical contact Iplex Pipelines.
 ● Custom made large radius bends available upon request

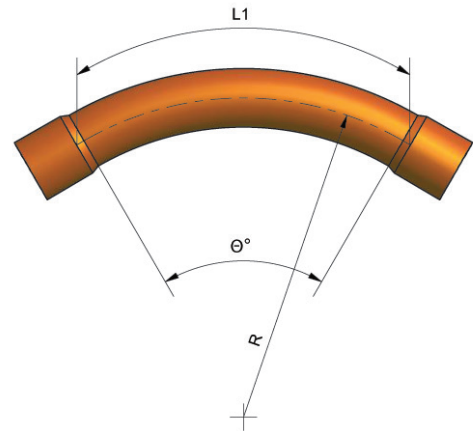


Telecommunications Conduits & Fittings

PVC & PE Fittings for Electrical

PVC Heavy Duty Bends Socket x Socket: Continued...

Product Code	Typical Dimensions			
	Nominal Size (mm)	Degree θ°	C'Line Radius (mm) R	Length (mm) L1
60310045450R*	100	45	450	353
60310045600R*	100	45	600	471
603100451200R*	100	45	1200	942
603100451830R*	100	45	1830	1437
60310090450R*	100	90	450	707
60310090600R*	100	90	600	942
60310090900R*	100	90	900	1414
603100901000R	100	90	1000	1571
603100901200R*	100	90	1200	1885
603100901500R	100	90	1500	2356
603100901830R	100	90	1830	2875
60312515600R	125	15	600	157
603125151830R	125	15	1830	479
60312522600R*	125	22.5	600	236
603125221000R	125	22.5	1000	393
603125221200R	125	22.5	1200	471
603125301830R	125	30	1830	958
60312545600R*	125	45	600	471
60312545900R	125	45	900	707
603125451000R	125	45	1000	785
603125451200R	125	45	1200	942
603125451830R	125	45	1830	1437
60312590600R*	125	90	600	942
603125901000R	125	90	1000	1571
603125901200R	125	90	1200	1885
603125901830R	125	90	1830	2875
60315011600R	150	11.25	600	118
603150111200R	150	11.25	1200	236
60315022600R	150	22.5	600	236
603150221200R	150	22.5	1200	471
603150301830R*	150	30	1830	958
60315045600R*	150	45	600	471
60315045900R	150	45	900	707
603150451830R*	150	45	1830	1437
60315090600R*	150	90	600	942
60315090900R	150	90	900	1414
603150901200R*	150	90	1200	1885
603150901500R*	150	90	1500	2356
603150901830R*	150	90	1830	2875
603200221800R	200	22	1800	691
603200301800R	200	30	1800	942
603200451200R	200	45	1200	942
603200451800R	200	45	1800	1414
603200901200R	200	90	1200	1885
603200901600R	200	90	1600	2513



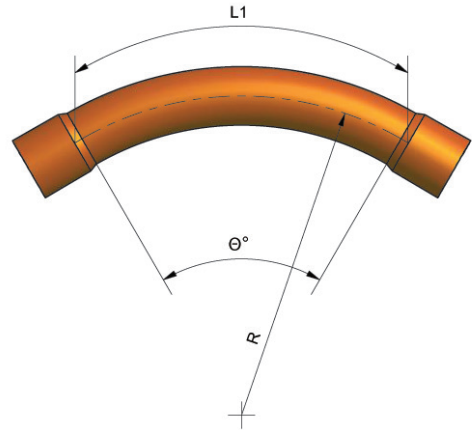
Note: *Common sizes, for stock availability please contact Iplex Pipelines
•Other sizes available upon request, subject to availability

Telecommunications Conduits & Fittings

PVC & PE Fittings for Electrical

PVC Solid Wall Heavy Duty Bends Socket x Socket:

Product Code	Typical Dimensions			
	Nominal Size (mm)	Degree θ°	C'Line Radius (mm) R	Length (mm) L1
E0128022	80	22	600	230
E0128045	80	45	600	471
E0128090	80	90	450	707
E0128090F	80	90	600	942
E01210022	100	22	600	230
E01210030	100	30	600	314
E01210045	100	45	600	471
E01210090D	100	90	450	707
E01210090	100	90	600	942
E01210090J	100	90	900	1414
E01210090L	100	90	1200	1885
E01210090M	100	90	1830	2875
E01212522	125	22	800	307
E01212545	125	45	800	628
E01212590	125	90	800	1257
E01215022	150	22	900	346
E01215045	150	45	900	707
E01215090	150	90	900	1414



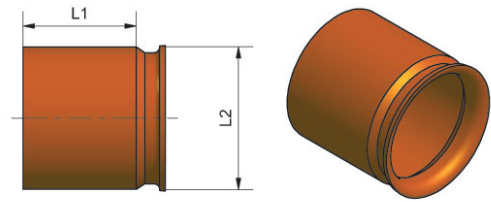
Note: • Used in the Victorian market
• Other sizes available upon request, subject to availability

Telecommunications Conduits & Fittings

PVC & PE Fittings for Electrical

PVC Bell Mouths:

Product Code	Typical Dimensions		
	Nominal Size (mm)	Dim. (mm) L1	Dim. (mm) L2
61132	32	25	51
61140	40	32	47
61150	50	40	57
61163	63	50	71
61180	80	73	100
611100	100	99	127
611125	125	115	155
611150	150	124	178
611200	200	147	275



PVC Caps

Product Code	Typical Dimensions	
	Nominal Size (mm)	Dim. (mm) L1
61240	40	35
61250	50	35
61263	63	35
61280	80	35
612100	100	35
612125	125	35
612150	150	35



PVC Solid Wall Caps

Product Code	Typical Dimensions	
	Nominal Size (mm)	Dim. (mm) L1
E006100	100	35
E006125	125	35
E006150	150	35



Note: • Used in the Victorian market

Telecommunications Conduits & Fittings

PVC & PE Fittings for Electrical

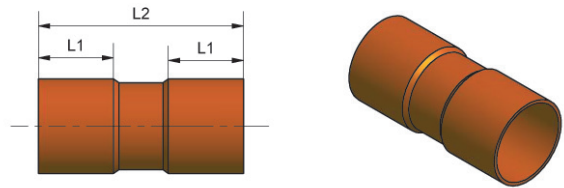
PVC Couplings:

Light Duty

Product Code	Typical Dimensions		
	Nominal Size (mm)	Dim. (mm) L1	Dim. (mm) L2
41080	80	73	190
410125	125	115	320
410100	100	99	270
410150	150	124	350

Heavy Duty

Product Code	Typical Dimensions		
	Nominal Size (mm)	Dim. (mm) L1	Dim. (mm) L2
61032	32	25	70
61040	40	32	85
61050	50	40	100
61063	63	50	120
61080	80	73	190
610100	100	99	270
610125	125	115	320
610150	150	124	350
610200	200	147	400



Solid Wall

Product Code	Typical Dimensions		
	Nominal Size (mm)	Dim. (mm) L1	Dim. (mm) L2
E00780	80	73	190
E007100	100	99	270
E007125	125	115	320
E007150	150	124	350

Note: • Used in the Victorian market

Telecommunications Conduits & Fittings

PVC & PE Fittings for Electrical

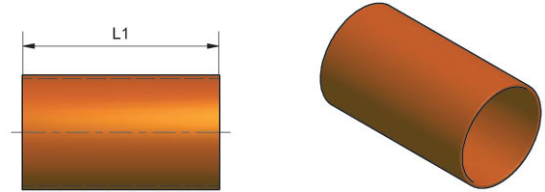
PVC Slip Couplings:

Light Duty

Product Code	Typical Dimensions	
	Nominal Size (mm)	Dim. (mm) L1
411S100	100	200
411S125	125	260
411S150	100	270
411S200	150	300

Heavy Duty

Product Code	Typical Dimensions	
	Nominal Size (mm)	Dim. (mm) L1
611S50	50	110
611S63	63	125
611S80	80	155
611S100	100	210
611S125	125	240
611S150	150	280



Solid Wall

Product Code	Typical Dimensions	
	Nominal Size (mm)	Dim. (mm) L1
E00780SLIP	80	155
E007100SLIP	100	210
E007125SLIP	125	125
E007150SLIP	150	150
E007200SLIP	200	300

Note: • Used in the Victorian market

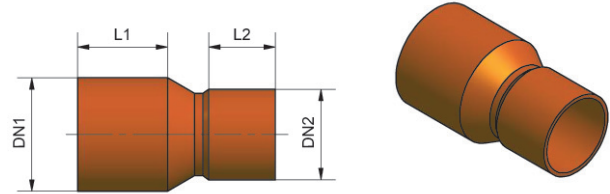
Telecommunications Conduits & Fittings

PVC & PE Fittings for Electrical

PVC Reducing Coupling:

Light Duty

Product Code	Typical Dimensions			
	DN1 (mm)	DN2 (mm)	Dim. (mm) L1	Dim. (mm) L2
42410080	100	180	99	73
424125100	125	100	125	100

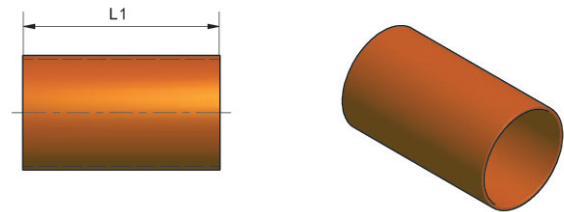


Heavy Duty

Product Code	Typical Dimensions			
	DN1 (mm)	DN2 (mm)	Dim. (mm) L1	Dim. (mm) L2
6246350	63	50	50	40
6248050	80	50	70	40
62410080	100	80	99	73
624125100	125	100	115	99
624150100	150	100	124	99
624150125	150	125	124	115
624200150	200	150	170	124

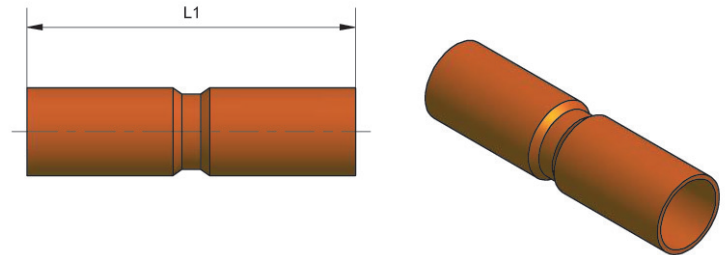
Heavy Duty Electrical – Poly Slip Coupling:

Product Code	Typical Dimensions	
	Nominal Size (mm)	Dim. (mm) L1
611S125PE	125	300



Poly Couplings:

Product Code	Typical Dimensions	
	Nominal Size (mm)	Dim. (mm) L1
61032PE	32	140
61063PE	63	280
610110PE	110	270
610125PE	125	300
E007125	140	-



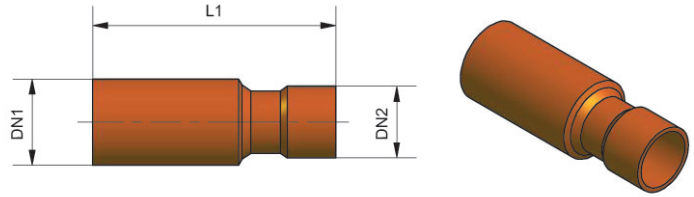
Note: • All drawings, dimensions, mass and volume are approximate only. If critical contact Iplex Pipelines.

Telecommunications Conduits & Fittings

PVC & PE Fittings for Electrical

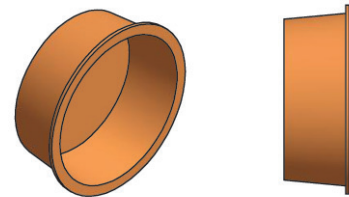
Poly to PVC Adaptors:

Product Code	Typical Dimensions		
	DN1 (mm)	DN2 (mm)	Dim. (mm) L1
6246350PEPVC	63	50	210
6246360PEPVC	63	60	210
62411080PEPVC	110	80	230
624110100PEPVC	110	100	250
624125100PEPVC	125	100	300
624125125PEPVC	125	125	310
624180150PEPVC	180	150	370
624225200PEPVC	225	200	500
624125110PVCPE	125	110	300
E007125	125	140	-
624150140PVCPE	150	140	300



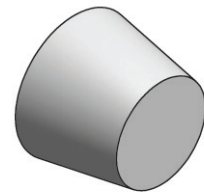
Light Duty Plugs:

Product Code	Typical Dimensions
	DN1 (mm)
4225PLUG	25
4240PLUG	40
4250PLUG	50
4280PLUG	80
42100PLUG	100
42125PLUG	125



Polystyrene Plug:

Product Code	Typical Dimensions
	DN1 (mm)
Z45440	40
Z45450	50
Z45480	80
Z454100	100
Z454125	125
Z454150	150
Z454225	225
Z454300	300



Note: • All drawings, dimensions, mass and volume are approximate only. If critical contact Iplex Pipelines.



iplex
Pipelines

ABN 56 079 613 308

FOR ALL ENQUIRIES AND ORDERS CONTACT IPLEX PIPELINES:

-  Phone : 13 18 40
Iplex Civil: 13 10 86
-  Fax : 13 18 60
- Email : sales@iplexpipelines.com.au
-  www.iplex.com.au

COPYRIGHT © 2013 IPLEX PIPELINES AUSTRALIA PTY. LTD.

IPV022013